

# ZTC-MD

**ZTC-MD Professional 4-Channel MDVR System**  
**The Central Intelligence Hub for Advanced Fleet Safety .**

**This Product supports :**

1. 4-Channel Videos
2. ADAS & DMS & BSD
3. 2G, 3G, 4G
4. GNSS: GPS/ GALILEO/ BeiDou/ GLONASS
5. LoRa (optional)
6. Configurator and FOTA WEB



## Technical

OS	• Linux
AI Computing Power	• 2.0TOPS NPU
Intelligent Algorithms	• ADAS/ DMS/ BSD

## Video

Multi-Channel Recording	• 4 Channels @ 4x1080p or 720p ( Support multiple connections ) • H.265 & H.264 encoding
-------------------------	--

## GNSS & Cellular

Cellular	• 2G/ 3G/ 4G CAT.4 B71 (NA) • LTE: B1/ B3/ B5/ B7/ B8/ B20/ B28/ B38/ B40/ B41 (EU & Asia) • LTE: B1/ B2/ B3/ B4/ B5/ B7/ B8/ B28/ B66/ B40 (AU)
Positioning System	• GPS / GALILEO/ BeiDou / GLONASS
LoRa	• Support LoRa (optional)

## Electrical Specification&Sensors

Power & Consumption(Configure four external cameras)	• Input 9-36V DC • Standby : 19.5mA@12V • Full-load : 1041mA@12V
Built-in Battery	• Supercapacitor
Environmental Tolerance	• Operating temperature: -30°C to 80°C • Storage temperature: -40°C to 85°C.
Acceleration Sensor	• 3-axis G-sensor
Audio(input)	• 5- channel audio , AV3, AV4, MIC, ADAS, DMS
Audio(output)	• Speaker ( 8Ω/2W )

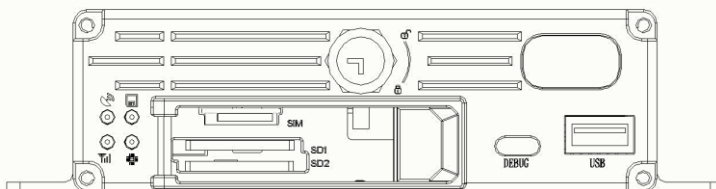
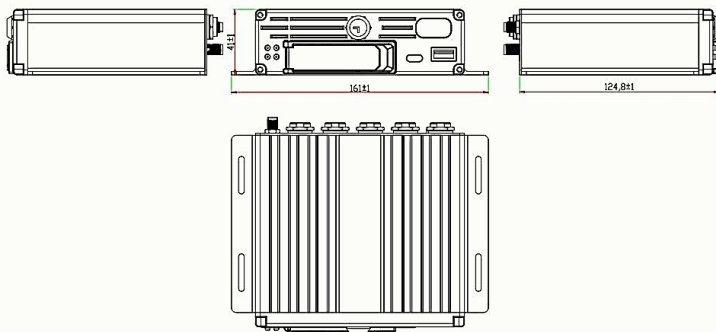
## Physical & Interface Specifications

I/O	• Input: VIN/ ACC/ SOS/ ADC1/ ADC2/ Left turn/ Right turn/ Custom High1/ Custom High2/ Custom Low/ One wire communication (1-WIRE) /  GND/ Brake/ Door sensors • Output: 5V/ Custom output low/ Cut off fuel circuit • RS-485 (485A/ 485B/ 5V/ GND)
Device Interfaces	• SIM card slot (nano SIM) • Power connector • Type-C debug port • SD card slot *2 (32GB~512GB) Above CLASS 10 • AHD camera port *2 • ADAS camera port • DMS camera port • RS232 port • TTS speaker port

	<ul style="list-style-type: none"> <li>• MIC Microphone port</li> <li>• VGA &amp; 12V out port</li> <li>• 4G Antenna port</li> <li>• GNSS Antenna port</li> </ul>
Dimensions	• L 161* W 124.8* H 41mm
Weight	• 558g
LED*4	• Red/ Yellow/ Green/ Blue

## AI

ADAS	<ul style="list-style-type: none"> <li>• Forward Collision Warning (FCW)</li> <li>• Pedestrian Collision Warning (PCW)</li> <li>• Lane Departure Warning (LDW)</li> <li>• Following Distance Alert</li> <li>• Speeding Alert</li> <li>• Harsh Braking Alert</li> <li>• Harsh Acceleration Alert</li> <li>• Harsh Turning Alert</li> <li>• Collision Warning</li> </ul>
DMS	<ul style="list-style-type: none"> <li>• Distracted Driving</li> <li>• Drowsiness Alert (Close eyes &amp; Yawn)</li> <li>• Cell Phone Use Alert</li> <li>• Seat belt Alert</li> <li>• Camera Obstruction Alert</li> <li>• Smoking Alert</li> <li>• Driver Detection Alert</li> <li>• Camera Obstruction</li> </ul>
BSD	<ul style="list-style-type: none"> <li>• Rear Blind Spot Detection (RBSD)</li> <li>• Left Blind Spot Detection (LBSD)</li> <li>• Right Blind Spot Detection (RBSD)</li> <li>• Front Blind Spot Detection (FBSD)</li> </ul>



## Regulatory Compliance

Certification	• CE, FCC
Product Name	• AI MDVR
Product Code	• ED02R-V2

