



## 4MP 30X Starlight IR Network PTZ Camera

### ZTIPX4M-PTZ30X-V2



Smart Tracking



Starlight



True WDR



Auto Day/Night



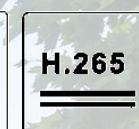
3D DNR



PoE+



IP66



H.265

#### System

ZTIPX4M-PTZ30X-V2, 4MP 30x (40X OPTINAL) Starlight IR Network PTZ camera, is AI detection and tracking PTZ, for wide range of intrusion and perimeter protection applications. The image sub-system is designed and fine-tuned for more reliable AI analysis and recognition results. Upon detecting illegal intrusion, the camera will trace it until the object leave out of restricted regions. This model could recognize max 30 objects per second, recognize human faces up to 500m distance or record human behaviors up to 2500m in most scenarios.

#### Key Spec:

- 1/2.5" progressive scan CMOS
- Up to 2560x1440 resolution
- Mini illumination:  
 Color: 0.01 lux @ (F1.65 AGC ON)  
 B/W: 0.002 lux@ (F1.65 AGC ON)  
 0 Lux with IR
- 30x (40X OPTINAL) optical zoom, 16x digital zoom
- 120 dB WDR, 3D DNR, Smart IR

Up to 150m IR distance

Smart H.265/H.264 video compression

1.5Tops Deep-learning engine, support human/vehicles detection, auto-tracking Smart tracking of human/vehicle

Smart detection and perimeter protection

IP67 Water immersion /true IK10 glass/6KV Surge protection,7x24H harsh weather

PoE+ (802.3.at, class 3) and DC24V/AC24V

ONVIF, API and SDK

Focus: Auto , Manual



## SPECIFICATION:

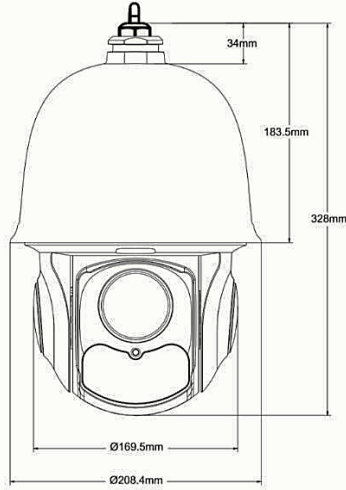
Camera Module	
System	Hi3516DV300, 8Gb LPDDR3,4GB Flash
Image sensor	1/2.5" progressive scan CMOS
Mini. Illumination	Color 0.01Lux @ (F1.5 AGC ON) B/W 0.002Lux @ (F1.5 AGC ON); 0Lux with IR
Image setting	Flip, Mirror, Saturation, Brightness, Contrast, Sharpness, AGC, and AWB adjusted by client software/browser
Shutter Speed	60Hz: 1/30s – 1/30,000s@30fps; 50Hz: 1/25s~1/25,000s@25fps
White Balance	Auto/Manual/Indoor/Outdoor
Gain	Auto/Manual
Day & Night Switch	IR Cut filter, Auto
Digital Zoom	16x
Privacy Mask	8 Programmable privacy masks
3D DNR	Auto/Manual
BLC	Yes
HLC	Yes
WDR	120 dB
Defog	Electronic
EIS	Yes
Regional Exposure	No
Picture overlay	Logo picture could be overlaid on video with 128x128pixels,24bits BMP format
Lens	
Focus length	f=4.7-141mm lens,30x (40X OPTINAL) optical zoom
Zoom Speed	Approx. 4s (optical zoom, wide-tele)
Field of View	Horizontal: 62.5°~2.1° (wide-tele) Vertical: 37.3°~ 1.3° (wide-tele) Diagonal: 70°~ 2.6° (wide-tele)
Working distance	wide: 1.0m ~ INF; tele: 1.5m ~ INF
Aperture Range	F1.5 ~ F4 (wide-tele)
PTZ	
Pan Range	360°endless
Pan speed	Configurable, from 0.1~80°/s; Preset speed: 150°/s
Tilt Range	From -3°to 90°
Tilt Speed	Configurable, from 0.1°~ 80°/s, Preset speed: 120°/s
Proportional Zoom	Yes
Preset	360
Cruise	8 cruises, up to 16 presets for each cruises
Track	4 tracks, record time over 3 minutes for each track
Power off memory	Support
Action mode	Preset/Cruise/Track/Auto Scan/Random Scan
3D Positioning	Support
PTZ Position Display	Support
Schedule Task	Preset/Cruise/Track/Random Scan/Boundary Scanning /Dome reboot
IR	
IR Distance	100m (328 ft.) 150 Meter , Auto
Smart IR	Yes, support facial exposure
Network	
Max Resolution	2560×1440
Main stream	2560×1440,2048×1536,1920×1080,1280×960,1280×720 ( 25/30 fps)
Sub stream	25fps (704×576, 640×480, 352×288) 30fps (704×480, 640×480, 352×240)
Third Stream	25fps (1920×1080, 1280×960, 1280×720, 704×576, 640×480, 352×288) 30fps (1920×1080, 1280×960, 1280×720, 704×480, 640×480, 352×240)

SVC	Yes
Video compression	Smart H.265+/H.265/H.264/MJPEG
Audio compression	G.711 A/U
Audio Enhancement	No
Protocols	HTTP, HTTPS, IPv4/IPv6, 802.1x, QoS, FTP, SMTP, UPnP, SNMP,DNS, DDNS, NTP, RTSP, RTCP, RTP, TCP/IP, UDP, IGMP V2/V3, ICMP,ICMPV6,,ARP,DHCP, PPPoE
Simultaneous live view	Up to 6 channels
User / Host	Up to 16 users, 3 levels: Administrator, Advanced User and Normal User
Security Measures	User authentication (ID and PW), Host authentication (MAC address); HTTPS encryption, IEEE802.1x port-based network access control; IP address filtering
<b>Smart Features</b>	
Basic event	Motion detection, video tampering alarm, exception (network disconnected, IP address conflict, SD full, SD error) , defocus detection
Face Recognize /Compare	Default off, max 30 human faces per second.
Road traffic	Vehicle detecting and tracking(ver5.1.1)
Smart Detection	Intrusion detection, Line crossing detection, Region entrance detection, Region exiting detection, Unattended baggage detection, Object removal detection, Scene change detection, Support alarm triggering by human or vehicle, filtering flag/animal.
Smart Tracking	Manual Tracking, Auto Tracking (human or vehicle by software setting)
<b>System Integration</b>	
Alarm Interface	1 Alarm input;1 Alarm output
Audio Interface	1 audio input(MIC in);1 audio output, line level, impedance,600Ω
Alarm Linkage	Alarm actions, such as Preset, Cruise, Track, Memory Card Video Record, Trigger Recording, Notify Surveillance Center, Upload to FTP/Memory Card, Send Email, etc.
Network Interface	1 RJ45 10M/100M Adaptive Ethernet (Support PoE 802.3.at,class 3)
CVBS	None
RS 485	None
SD Card Slot	One MicroSD/SDHC/SDXC card slot, up to 256G/512G (OPTINAL)
API	ONVIF Profile S,G,T,M, support SDK and third-party management platform
Client	ZTVMS , And the third-party client
Web Browser	IE8-11, Chrome41.0-44, Firefox30.0-51, Safari8.0-11
<b>General</b>	
Power	DC24V,AC24V or PoE+ (802.3.at, class 3), (Max 30W, include IR, Heater, Fan working, max 9W for IR)
Working condition	-30°C ~ 60°C (-22°F ~ 140°F),90%RH less (non-condensing),Cold start at - 25°C
Storage condition	-40°C ~ 65°C ; ≤ 95% RH
Protection	IP66, 6000V Lightning Protection, Surge Protection and Voltage Transient Protection , IK 10
Material	Aluminum Alloy + Plastic
Dimensions	Φ 209mm × 328mm ( 8.22 inch Φ × 12.91 inch)
Weight	Approx. 3.7 Kg (8.31 lb.)
Certification	IP66,ROHS,CE,FC

## DORI table

DORI	Detect (human behaviors)	Observe (as Court level evidence)	Recognize (face ID, CPL)	Identify (human and his photo)
Define	25Pixels /meter	63Pixels/meter	125Pixels/meter	250pixels/meter
Distance	2500m(8208 ft.)	1000m (3280 ft.)	500m (1640 ft.)	250m (820 ft.)

**Dimensions:**



**Mounting Brackets Options:**

Wall mount	Pole Mount	Corner Mount	Pendant mount

