

## 5MP 30x Explosion-proof Network PTZ Camera



# SN-IPT8650PAN(-K)-Z30-SS

### Key Features

- ✚ 1/2.8" STARVIS™ CMOS
- ✚ 30x optical zoom, 16x digital zoom
- ✚ Supports detection and capture of faces, humans, and vehicles, as well as smoke and flame detection.
- ✚ Intelligent analysis: intrusion, single line crossing, double line crossing, loitering, wrong-way, illegal parking, and people counting.
- ✚ True WDR, 3D DNR, ICR, HLC, BLC, Defog
- ✚ -K: Support fiber optical interface
- ✚ Material: 316L Stainless steel, IP68 water resistant
- ✚ ATEX: II 2 G Ex db IIC T6 Gb, Ex II 2 D Ex tb IIIC T80°C Db

## Camera

Image Sensor	1/2.8" Progressive Scan CMOS
Max. Resolution	5MP, 2592(H) × 1944(V)
Electronic Shutter	Auto/Manual, 1/5 to 1/100,000s
Min. illumination	Color: 0.07 Lux @ (F1.6, AGC ON), B/W: 0.02 Lux @ (F1.6, AGC ON)
Day & Night	Auto (ICR)
Wide Dynamic Range	True WDR
Wiper	Support

## Lens

Focal Length	5.3 to 159 mm, 30x Optical Zoom
Max. Aperture	F1.6 to F4.3
Angle of View	H: 56.3° to 2.7°, V: 42.4° to 2.0°
Zoom Speed	Approx. 2.5 s
Digital Zoom	16x
Iris Control	Auto/Manual
Focus Control	Auto/Manual/Semi-automatic

## DORI Distance

Detection	104 to 3,120 m (341.2 to 10,236.2 ft)
Observe	41.6 to 1,248 m (136.5 to 4,094.5 ft)
Recognize	20.8 to 624 m (68.2 to 2,047.2 ft)
Identify	10.4 to 312 m (34.1 to 1,023.6 ft)

DORI (Detect, Observe, Recognize, and Identify) is a standard system (EN-62676-4) for defining the ability of a person viewing the video to distinguish persons or objects within a covered area. The numbers in this table do not reflect intelligent function distances.

## Intelligent Analytics

Multi-Object Detection	Supports face, human, vehicle detection and capture. Supports multiple frame modes: Full Frame, Four-corner Frame, and Mosaic.
Smoke and Flame Detection	Support
Intelligent Analysis	Intrusion, Single line crossing, Double line crossing, Loitering, Wrong-way, Illegal parking, Smart Motion Detection (support the accurate detection of vehicle and human)
People Counting	Support
Smart Tracking	Support



## Video and Audio

Streaming Capability	3 Streams
Stream/Frame Rate	Stream1: 2592×1944, 2592×1520, 1920×1080, 1280×720 @25/30fps Stream2: D1, VGA, CIF @25/30fps Stream3: VGA, CIF, QVGA @25/30fps
Bit Rate Control	CBR/VBR
Bit Rate	Stream1: 200 kbps to 12 Mbps Stream2: 100 kbps to 6 Mbps Stream3: 100 kbps to 3 Mbps
Smart Encoder	Support
Region of Interest (ROI)	Support
Audio Compression	G.711 A-law, G.711 $\mu$ -law, RAW_PCM
Audio Bit Rate	64 kbps (G.711), 128 kbps (RAW_PCM)

## Image

Image Adjustment	Brightness, Sharpness, Contrast, Saturation adjustable
Scene Setting	Indoor, Outdoor, Mirror
Exposure Mode	Auto, Manual, Shutter priority, Iris priority
White Balance	Auto, Tungsten, Fluorescent, Daylight, Shadow, Manual
Day/Night Setting	Auto, Day, Night, Timer
Noise Reduction	2D/3D DNR
Image Enhancement	HLC, BLC, Defog, WDR, Anti-shake
Privacy Masking	Support 40 zones, mask color configurable

## PTZ

Pan/Tilt Range	Pan: 0° to 360° endless, Tilt: -90° to +90°
Pan Speed	Pan speed: 0.1° to 30°/s, preset speed: 30°/s
Tilt Speed	Tilt speed: 0.1° to 20°/s, preset speed: 30°/s
Presets	400
Patrol Scan	6 Track, 12 Scan, 12 Patrol (up to 32 presets each patrol)
Power-Off Memory	Support
3D Positioning	Support

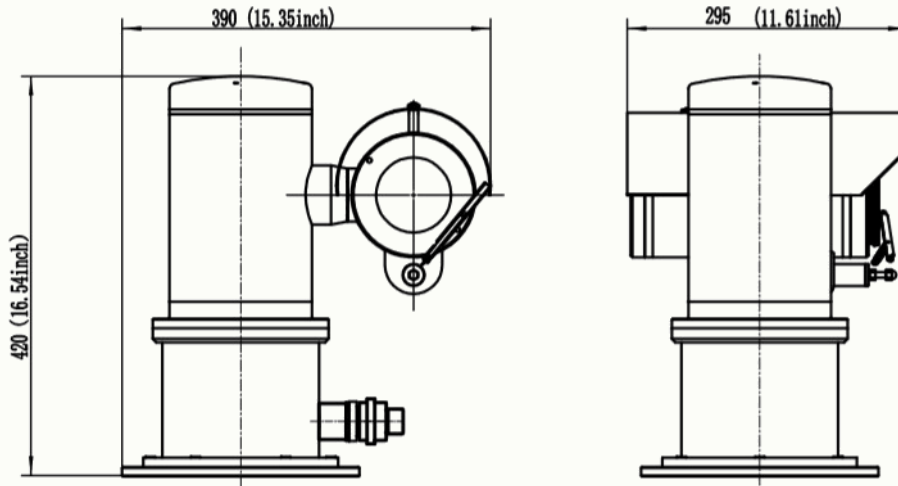


PTZ Status Display	Support
Idle Motion	The time can be set (1-240 minutes), and functions such as preset positions, patrols, scans, and tracks
<b>Event</b>	
Alarm Triggers	IVS, Motion detection, Alarm input, Network alarm, Disk alarm, Day/Night switch alarm, Abnormal sound detection
Event Actions	Alarm record, SMTP upload, FTP upload, Alarm output, Audible alarm output
<b>Network</b>	
Protocols	IPv4/IPv6, HTTP/HTTPS, DNS, DDNS, DHCP, PPPoE, RTSP/ RTP/RTCP, TCP/UDP, NTP, ARP, UPnP, FTP, SMTP, QoS, ICMP, IGMP, SMTP, 802.1x, SNMP, Multicast
Interoperability	ONVIF (Profile S/T/G/M), SDK, CGI
Max Concurrent Streams	10 channels
User/Host Level	32+ users, 3 levels: Administrator, Operator, Media user
Security	IP address filter, HTTPS, Illegal login lock, IEEE 802.1x
Web Viewer	<IE11, Chrome, Firefox, Microsoft Edge
<b>Interface</b>	
Network Interface	1 × RJ-45, 10/100 Mbps self-adaptive Ethernet port
Fiber Optical	-K: 1 single module fiber interface
Audio Interface	1ch Input, 1ch Output
Alarm Interface	5ch Input, 2ch Output
RS-485	Support
CVBS Interface	Support
SD Card Slot	Built-in, up to 256 GB
Reset Button	Built-in
<b>General</b>	
Language	English, Chinese, Traditional Chinese, Polish, Italian, Portuguese, Spanish, Russian, French, Czech, Hungarian, Japanese, Korean. Default: English
Power Supply	100 to 240VAC
Power Consumption	Less than 75W
Operating Temperature	-40°C to 60°C (-40°F to 140 °F)
Operating Humidity	Less than 90% RH
Ingress Protection	IP68
Certifications	ATEX: Ex II 2GD Ex db IIC T6 Gb /Ex tb IIIC T80°C Db; IECEX: Ex db IIC T6 Gb /Ex tb IIIC T80°C Db



<b>Material</b>	SUS316L
<b>Dimensions</b>	390 × 295 × 420 mm (15.35 × 11.61 × 16.54 inch)
<b>Net Weight</b>	30 kg (66.14 lb)

## Dimensions (mm)



## Accessories

Optional:



SN-BK402A-SS  
Wall Mount



SN-BK404  
Pole Mount



SN-BK405-SS  
Corner Mount



SN-BK400-SS(P/F/D)  
Junction Box



SN-CPL10A-SS  
Washing Tank



Flexible Tube

