

5MP 15x Anti-Corrosion Network Speed Dome

SN-IPS8652PCDN(-K)-Z15-SSFF

Key Features

- ✚ 1/2.8" STARVIS™ CMOS
- ✚ Max. 5MP(2592x1944) @25/30fps resolution
- ✚ 15x optical zoom, 16x digital zoom
- ✚ Supports detection and capture of faces, humans, and vehicles, as well as smoke and flame detection.
- ✚ Intelligent analysis: intrusion, single line crossing, double line crossing, loitering, wrong-way, illegal parking, and people counting.
- ✚ True WDR, 3D DNR, ICR, Defog and Anti-shake
- ✚ -K: Support fiber optical interface
- ✚ 316L stainless steel enclosure, protecting cameras to be used in corrosive environments
- ✚ IP68 water resistant



Camera

Image Sensor	1/2.8" Progressive Scan CMOS
Max. Resolution	5MP, 2592(H) × 1944(V)
Electronic Shutter	Auto/Manual, 1/5 to 1/20,000s
Min. illumination	Color: 0.01 Lux @ (F1.6, AGC ON), B/W: 0.001 Lux @ (F1.6, AGC ON)
Day & Night	Auto (ICR)
Wide Dynamic Range	True WDR
Image Sensor	1/2.8" Progressive Scan CMOS

Lens

Focal Length	5.3 to 79.5 mm, 15x Optical Zoom
Max. Aperture	F1.6 to F2.8
Field of View (FOV)	H: 56.2° to 4.5°, V: 42.3° to 3.3°
Zoom Speed	Approx. 2.5 s
Digital Zoom	16x
Iris Control	Auto/Manual
Focus Control	Auto/Manual/Semi-automatic

DORI Distance

DORI Distance (Detection)	104 to 1,560 m (341.21 to 5,118.11 ft)
DORI Distance (Observe)	41.6 to 624 m (136.48 to 2,047.24 ft)
DORI Distance (Recognize)	20.8 to 312 m (68.24 to 1,023.62 ft)
DORI Distance (Identify)	10.4 to 156 m (34.12 to 511.81 ft)

DORI (Detect, Observe, Recognize, and Identify) is a standard system (EN-62676-4) for defining the ability of a person viewing the video to distinguish persons or objects within a covered area. The numbers in this table do not reflect intelligent function distances.

Intelligent Analytics

Multi-Object Detection	Supports face, human, vehicle detection and capture. Supports multiple frame modes: Full Frame, Four-corner Frame, and Mosaic.
Smoke and Flame Detection	Support
Intelligent Analysis	Intrusion, Single line crossing, Double line crossing, Loitering, Wrong-way, Illegal parking, Smart Motion Detection (support the accurate detection of vehicle and human)
People Counting	Support

Video and Audio

Streaming Capability	3 Streams
Stream/Frame Rate	Stream1: 2592×1944, 2592×1520, 1920×1080, 1280×720 @25/30fps Stream2: D1, VGA, CIF @25/30fps Stream3: VGA, CIF, QVGA @25/30fps
Bit Rate Control	CBR/VBR
Bit Rate	Stream1: 200 kbps to 16 Mbps Stream2: 100 kbps to 6 Mbps Stream3: 100 kbps to 3 Mbps
Smart Encoder	Support
Region of Interest (ROI)	Support

Image

Image Adjustment	Brightness, Sharpness, Contrast, Saturation adjustable
Scene Setting	Indoor, Outdoor, Mirror
Exposure Mode	Auto, Manual, Shutter priority, Iris priority
White Balance	Auto, Tungsten, Fluorescent, Daylight, Shadow, Manual
Day/Night Setting	Auto, Day, Night, Timer
Noise Reduction	2D/3D DNR
Image Enhancement	HLC, BLC, Defog, WDR, Anti-shake
Privacy Masking	Support 40 zones, mask color configurable

PTZ

Pan/Tilt Range	Pan: 0° to 360° endless, Tilt: 0° to +90° (auto-flip)
Pan Speed	Pan speed: 0.1° to 200°/s, preset speed: 200°/s
Tilt Speed	Tilt speed: 0.1° to 160°/s, preset speed: 160°/s
Presets	300
Patrol Scan	6 Track, 12 Scan, 12 Patrol (up to 32 presets each patrol)
Power-Off Memory	Support
3D Positioning	Support
PTZ Status Display	Support
Idle Motion	The time can be set (1-240 minutes), and functions such as preset positions, patrols, scans, and tracks can be run.

Event

Alarm Triggers	IVS, Motion detection, Alarm input, Network alarm, Disk alarm, Day/Night switch alarm, Abnormal sound detection
Event Actions	Alarm record, SMTP upload, FTP upload, Alarm output, Audible alarm output

Network

Protocols	IPv4/IPv6, HTTP/HTTPS, DNS, DDNS, DHCP, PPPoE, RTSP/ RTCP/RTP, TCP/UDP, NTP, ARP, UPnP, FTP, SMTP, QoS, ICMP, IGMP, SMTP, 802.1x, SNMP, Multicast
Interoperability	ONVIF (Profile S/T/G/M), SDK, CGI
Max Concurrent Streams	10 channels
User/Host Level	32+ users, 3 levels: Administrator, Operator, Media user
Security	IP address filter, HTTPS, Illegal login lock, IEEE 802.1x
Web Viewer	<IE11, Chrome, Firefox, Microsoft Edge

Interface

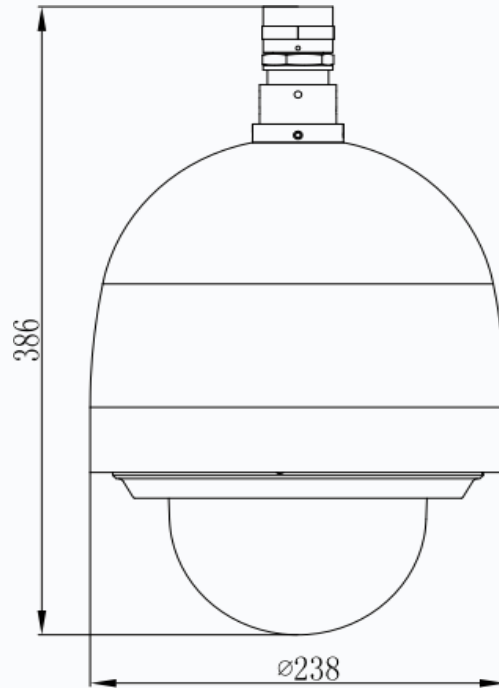
Fiber Optical	1 Ethernet (10/100 Base-T) RJ-45 Connector -K: 1 single module fiber interface
SD Card Slot	Built-in, up to 256 GB
Reset Button	Support

General

Language	English, Chinese, Traditional Chinese, Polish, Italian, Portuguese, Spanish, Russian, French, Czech, Hungarian, Japanese, Korean. Default: English
Power Supply	100 to 240VAC
Power Consumption	Less than 15W
Operating Temperature	-20°C to 60°C (-4°F to 140 °F)
Operating Humidity	Less than 90% RH
Ingress Protection	IP68
Material	SUS316L
Dimensions	φ238 × 386 mm (φ9.37 × 15.2 inch)
Net Weight	15 Kg (33.07 lb)



Dimensions (mm)



Accessories

Optional:



Wall Bracket
(standard)



Ceiling Bracket



Junction Box



Washing Tank



Flexible Tube

