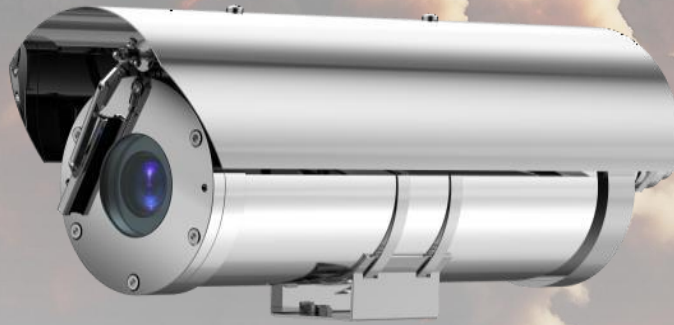


## 8MP 40x Starlight Explosion-proof Network Camera



# SN-CHP8681CDN(-K)-Z40-SS

### Key Features

- ✚ 1/1.8" STARVIS™ CMOS
- ✚ Max. 8MP(3840x2160) @25/30fps resolution
- ✚ 40x optical zoom, 16x digital zoom
- ✚ Supports detection and capture of faces, humans, and vehicles, as well as smoke and flame detection.
- ✚ Intelligent analysis: intrusion, single line crossing, double line crossing, loitering, wrong-way, illegal parking, and people counting.
- ✚ True WDR, 3D DNR, ICR, HLC, BLC, Defog
- ✚ -K: Support fiber optical interface
- ✚ Material: 316L Stainless steel, IP68 water resistant
- ✚ ATEX: II 2 G Ex db IIC T6 Gb, Ex II 2 D Ex tb IIIC T80°C Db

## Specification:

Camera	
Image Sensor	1/1.8" Progressive Scan CMOS
Max. Resolution	8MP, 3840(H) × 2160 (V)
Electronic Shutter	Auto/Manual, 1/5 to 1/20,000s
Min. illumination	Color: 0.005 Lux @ (F1.6, AGC ON), B/W: 0.001 Lux @ (F1.6, AGC ON)
Day & Night	Auto (ICR)
Wide Dynamic Range	True WDR
Wiper	Support
Lens	
Focal Length	6.8 to 272 mm, 40x Optical Zoom
Max. Aperture	F1.63 to F4.94
Angle of View	H: 62.0° to 2.4°, V: 36.6° to 1.3°
Zoom Speed	Approx. 3.5 s
Digital Zoom	16x
Iris Control	Auto/Manual
Focus Control	Auto/Manual/Semi-automatic
DORI Distance	
Detection	140 to 5,600 m (459.32 to 18,372.7 ft)
Observe	56 to 2,240 m (183.73 to 7,349.08 ft)
Recognize	28 to 1,120 m (91.86 to 3,674.54 ft)
Identify	14 to 560 m (45.93 to 1,837.27 ft)
DORI (Detect, Observe, Recognize, and Identify) is a standard system (EN-62676-4) for defining the ability of a person viewing the video to distinguish persons or objects within a covered area. The numbers in this table do not reflect intelligent function distances.	
Intelligent Analytics	
Multi-Object Detection	Supports face, human, vehicle detection and capture. Supports multiple frame modes: Full Frame, Four-corner Frame, and Mosaic.
Smoke and Flame Detection	Support
Intelligent Analysis	Intrusion, Single line crossing, Double line crossing, Loitering, Wrong-way, Illegal parking, Smart Motion Detection (support the accurate detection of vehicle and human)
People Counting	Support



## Video and Audio

Streaming Capability	3 Streams
Stream/Frame Rate	Stream1: 3840×2160, 2592×1520, 2304×1296, 1920×1080, 1280×720 @25/30fps Stream2: D1, VGA, CIF @25/30fps Stream3: VGA, CIF, QVGA @25/30fps
Bit Rate Control	CBR/VBR
Bit Rate	Stream1: 200 kbps to 16 Mbps Stream2: 100 kbps to 6 Mbps Stream3: 100 kbps to 3 Mbps
Smart Encoder	Support
Region of Interest (ROI)	Support
Audio Compression	G.711 A-law, G.711 $\mu$ -law, RAW_PCM
Audio Bit Rate	64 kbps (G.711), 128 kbps (RAW_PCM)

## Image

Image Adjustment	Brightness, Sharpness, Contrast, Saturation adjustable
Scene Setting	Indoor, Outdoor, Mirror
Exposure Mode	Auto, Manual, Shutter priority, Iris priority
White Balance	Auto, Tungsten, Fluorescent, Daylight, Shadow, Manual
Day/Night Setting	Auto, Day, Night, Timer
Noise Reduction	2D/3D DNR
Image Enhancement	HLC, BLC, Defog, WDR, Anti-shake
Privacy Masking	Support 8 zones, mask color configurable

## Event

Alarm Triggers	IVS, Motion detection, Alarm input, Network alarm, Disk alarm, Day/Night switch alarm, Abnormal sound detection
Event Actions	Alarm record, SMTP upload, FTP upload, Alarm output, Audible alarm output

## Network

Protocols	IPv4/IPv6, HTTP/HTTPS, DNS, DDNS, DHCP, PPPoE, RTSP/ RTCP/RTP, TCP/UDP, NTP, ARP, UPnP, FTP, SMTP, QoS, ICMP, IGMP, SMTP, 802.1x, SNMP, Multicast
Interoperability	ONVIF (Profile S/T/G/M), SDK, CGI
Max Concurrent Streams	10 channels
User/Host Level	32+ users, 3 levels: Administrator, Operator, Media user
Security	IP address filter, HTTPS, Illegal login lock, IEEE 802.1x
Web Viewer	<IE11, Chrome, Firefox, Microsoft Edge



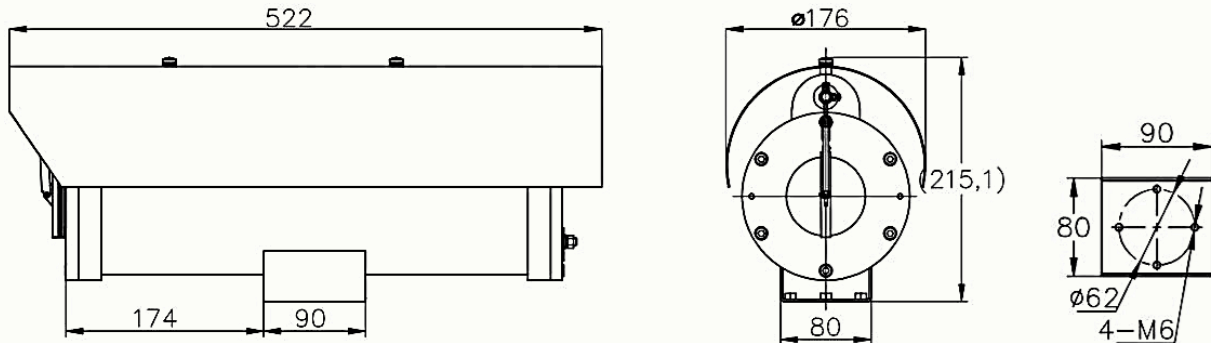
## Interface

Network Interface	1 × RJ-45, 10/100 Mbps self-adaptive Ethernet port
Fiber Optical	-K: 1 single module fiber interface
Audio Interface	1ch Input, 1ch Output
Alarm Interface	2ch Input, 1ch Output
RS-485	Support
CVBS Interface	Support
SD Card Slot	Built-in, up to 1 TB
Reset Button	Built-in

## General

Language	English, Chinese, Traditional Chinese, Polish, Italian, Portuguese, Spanish, Russian, French, Czech, Hungarian, Japanese, Korean. Default: English
Power Supply	100 to 240VAC
Power Consumption	Less than 25W
Operating Temperature	-40°C to 60°C (-40°F to 140 °F)
Operating Humidity	Less than 90% RH
Ingress Protection	IP68
Certifications	ATEX: Ex II 2GD Ex db IIC T6 Gb /Ex tb IIIC T80°C Db; IECEX: Ex db IIC T6 Gb /Ex tb IIIC T80°C Db
Material	SUS316L
Dimensions	522 × 176 × 215.1 mm (20.55 × 6.93 × 8.47 inch)
Net Weight	14.5 kg (31.97 lb)

## Dimensions (mm)



## Accessories

Optional:



SN-BK401A-SS  
Wall Mount



SN-BK406-SS  
Pole Mount



SN-BK407-SS  
Corner Mount



SN-BK400-SS(P/F/D)  
Junction Box



SN-CPL10A-SS  
Washing Tank



Flexible

